

# OEI<sup>®</sup> Product Bulletin

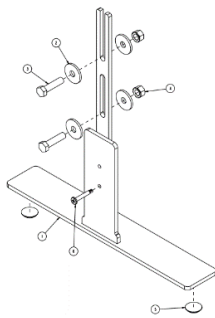
To: OEI State Sales, OEI Engineering, OEI Production

From: Weston Schilawski  
OEI Sr. Mfg. Engineer

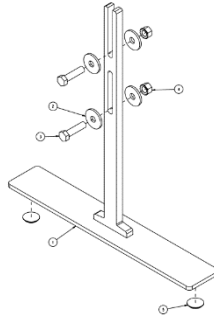
Date: 1/8/2020

RE: Legion Freestanding Foot

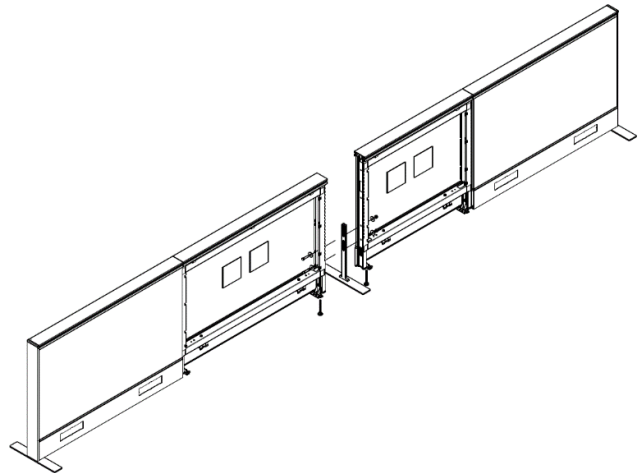
Effective 1/10/2020, the Legion freestanding stabilizer foot will be available for specification and ordering as standard product. The new panel foot is made of a painted  $\frac{1}{4}$ " steel weldment and includes necessary mounting hardware. The new addition eliminates the need for return panels on pre-approved panel configurations and can be installed in both new and reconfiguration applications. Assembly instructions and planning guidelines will be sent separate from the product bulletin and can be found on the OEI website. The stabilizer foot will be included in the upcoming release of the Legion Product Offering Catalog.



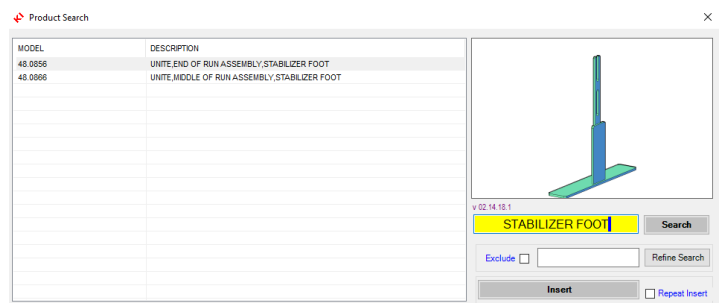
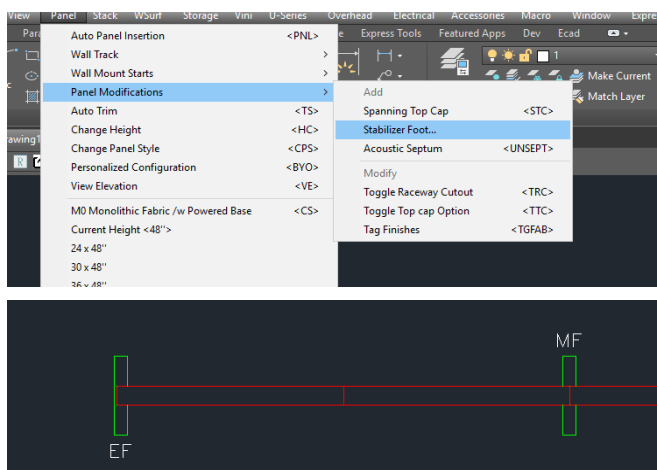
48.0856.CC – End-of-Run



48.0866.CC – Mid-Run



The End-of-Run and Mid-Run panel stabilizer can be found in the Panel Modifications pull down in the Legion ECAD menu:



Please contact your Customer Account Coordinator for pricing.

Thank you,

Weston Schilawski

[weston.schilawski@oei-inc.com](mailto:weston.schilawski@oei-inc.com)

(920) 468-2538