

CHANGE NOTICE



P.O. Box 8400
Green Bay, WI 54308-8400
(920) 468-2165

Change Notice No. 308

Implemented By: Scott Vissers

Notification By: Scott Vissers

Date: 09/16/11

Component Product Title: Develop Trapezoid Shape Tables

Effective: 9/16/11

Description of Change:

1. OEI has updated the hole pattern drawing for the Trapezoid shaped tables. These are a part of drawing TD-5C, Drawing Number 5. The spacing between the legs on these tables has been increased to allow for more leg room. This will affect all Develop tables available with a trapezoid shape. Spacing changes are as follows:
 - 30x30x30x60 increases from 24" to 28"
 - 36x36x36x72 increases from 30" to 35"
 - 24x24x24x48 increases from 15" to 21"

Reason for Change: The leg spacing was increased to allow for more leg room for the users at the table.

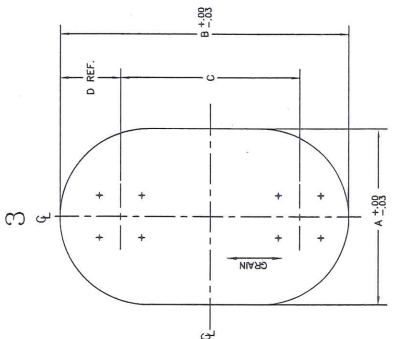
Action Required: Update the worksurface drill patterns for the trapezoid tables. The updated worksurface drawing is attached to this notice and is also available in the OEI drawing library. Please refer any questions to the attention of Scott Vissers.

Customer Notification: Unicor and States

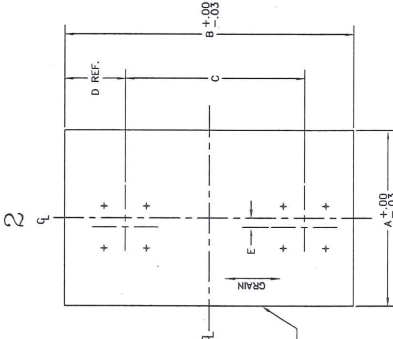
Enclosure

CONTROL STAMP

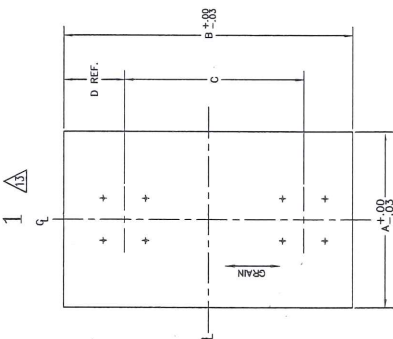
Rev.	By	ECN/Request Number	Date	Ch. By	Description
4	JD	6074	12-12-2000		UPDATED NOTES, ADDED TOLERANCE, CHANGED TO 3 PLACE DIMS, PRNR # 100-10912
5	SAH	9238	6/25/02		52.060 DIM WAS 51.060; 21.91 DIM WAS 22.41 FOR 18" X 96" RECTANGULAR SURFACE
6	JRU	005-0128	3-29-05		CHANGED PILOT HOLE DIA. AND DEPTH. ϕ WAS .19, DEPTH WAS .71
7	JRU	007-0011	1-6-07		TOP VALUE IN B COLUMN IN DWG. NO. 4 WAS 30.88
8	JRU	007-0001	8-10-07		DIM A IN DWG #6 FOR THE 72X36 SIZE WAS 72.88
9	DK	11322	2/15/08		54.060 WAS 52.060 AND 20.91 WAS 21.91 FOR 18" X 96" SIZE IN TABLE FOR DWG NO. 1 CORRECTED "C" DIMS IN TABLE FOR DWG# 7 DELETED NOTE 3, RENUMBERED NOTES. NOTE ON DWG 2, WAS "SEE NOTE 3"
10	DK	11322	2/26/08		54.060 WAS 52.060 AND 20.91 WAS 21.91 FOR 18" X 96" SIZE IN TABLE FOR DWG NO. 2
11	MNK	007-0562	5/27/08		REVISED DWG #5 24X24X48 TOP DIM. "C" 21.00P. WAS 15.00P
12	DK	D10-0189	06/19/10		REMOVED RECT WRKSPEC, SEE DWG TRC-Y
13	DK	D10-0317	07/09/10		RENUMBERED RECT WRKSPEC 1
14	DK	12386	7-05-2011		REF DWG 5, DIM C, 28.000 WAS 24.000 35.000 WAS 30.000



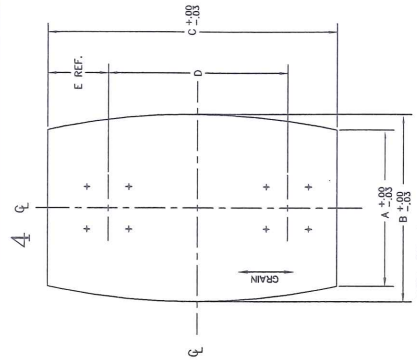
NOMINAL SIZE	A	B	C	D	E
36" X 60"	35.88	71.88	151.060	10.41	7.50
35" X 72"	35.88	71.88	151.060	10.41	7.50



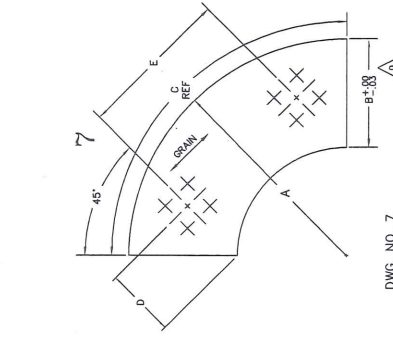
NOMINAL SIZE	A	B	C	D	E
18" X 48"	17.88	47.88	13.480	7.25	1.16
18" X 60"	17.88	59.88	45.380	7.25	1.16
18" X 72"	17.88	71.88	51.060	10.41	1.16
18" X 84"	17.88	83.88	51.060	16.41	1.16
18" X 96"	17.88	95.88	54.060	20.91	1.16
24" X 30"	23.88	29.88	15.380	7.25	1.66
24" X 36"	23.88	35.88	15.380	7.25	1.66
24" X 42"	23.88	41.88	15.380	7.25	1.66
24" X 48"	23.88	47.88	15.380	7.25	1.66
24" X 54"	23.88	53.88	15.380	7.25	1.66
24" X 60"	23.88	59.88	15.380	7.25	1.66
24" X 66"	23.88	65.88	15.380	7.25	1.66
24" X 72"	23.88	71.88	15.380	7.25	1.66
24" X 78"	23.88	77.88	15.380	7.25	1.66
24" X 84"	23.88	83.88	15.380	7.25	1.66
24" X 90"	23.88	89.88	15.380	7.25	1.66
24" X 96"	23.88	95.88	15.380	7.25	1.66



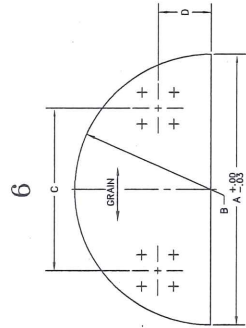
NOMINAL SIZE	A	B	C	D
24" X 48"	23.88	47.88	13.480	7.25
24" X 60"	23.88	59.88	45.380	7.25
24" X 72"	23.88	71.88	51.060	10.41
24" X 84"	23.88	83.88	51.060	16.41
24" X 96"	23.88	95.88	54.060	20.91
30" X 48"	29.88	47.88	13.380	7.25
30" X 60"	29.88	59.88	45.280	7.25
30" X 72"	29.88	71.88	51.060	10.41
30" X 84"	29.88	83.88	51.060	16.41
30" X 96"	29.88	95.88	54.060	20.91
36" X 48"	35.88	47.88	13.380	7.25
36" X 60"	35.88	59.88	45.280	7.25
36" X 72"	35.88	71.88	51.060	10.41
36" X 84"	35.88	83.88	51.060	16.41
36" X 96"	35.88	95.88	54.060	20.91



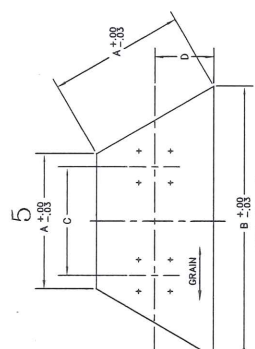
NOMINAL SIZE	A	B	C	D	E
24" X 30" X 60"	23.88	29.88	59.88	45.380	7.25
30" X 36" X 72"	29.88	35.88	71.88	51.060	10.41
30" X 36" X 96"	29.88	35.88	95.88	51.060	22.41



NOMINAL SIZE	A	B	C	D	E	F
48" X 24" X 75.172"	47.88	23.88	75.21	15.61	33.940	11.67
48" X 30" X 75.172"	47.88	29.88	75.21	17.64	25.440	11.67
48" X 36" X 75.172"	47.88	35.88	75.21	19.67	17.64	11.67
60" X 30" X 94"	59.88	29.88	94.06	19.39	42.430	11.67
60" X 36" X 94"	59.88	35.88	94.06	21.52	33.940	11.67
72" X 36" X 113"	71.88	35.88	113.90	23.27	50.910	11.67



NOMINAL SIZE	A	B	C	D
90" X 36"	71.88	35.88	140.000	14.00



NOMINAL SIZE	A	B	C	D
24" X 24" X 48"	23.88	47.88	21.000	10.40
30" X 30" X 60"	29.88	59.88	28.000	13.00
36" X 36" X 72"	35.88	71.88	35.000	15.60

- NOTES:
- FOR EDGE DETAIL SEE DRAWING 50-1000
 - ALL HOLES ARE 125 ϕ X .50 DEEP
 - UNLESS OTHERWISE SPECIFIED
 - ALL DIMENSIONS SHOWN AFTER EDGE APPLICATION
 - PART IS SYMMETRIC ABOUT ϕ
 - LOCATE MODISTY PANELS FROM THIS EDGE



TYPICAL HOLE PATTERN

DRILLING DIAGRAM, E BASE FIXED & CANTILEVER TOPS

1330 Bellvue Street
P.O. Box 8100
Green Bay, Wisconsin
54308-9100

DATE	BY	CHKD BY	SCALE	DATE
03-05-94			1:20	



THIRD ANGLE PROJECTION