

CHANGE NOTICE



P.O. Box 8400
Green Bay, WI 54308-8400
(920) 468-2165

Change Notice No. 302

Implemented By: OEI

Notification By: Scott Vissers

Date: 10/22/10

Component Product Title: Consult Furniture

Effective: Immediately

ECN:

Description of Change:

1. OEI is updating the exploded view drawings and part numbers for the arms on the Consult furniture. We are changing the designation of the left and right arms. The arm style will now be determined from standing facing the front of the chair, not while sitting in it.

Reason for Change: This change is being implemented to be consistent with the factory (AGI) that produces this chair line. Chair kits were being sent with all the proper parts, but if replacements for a single arm were required, there was confusion about which arm to order.

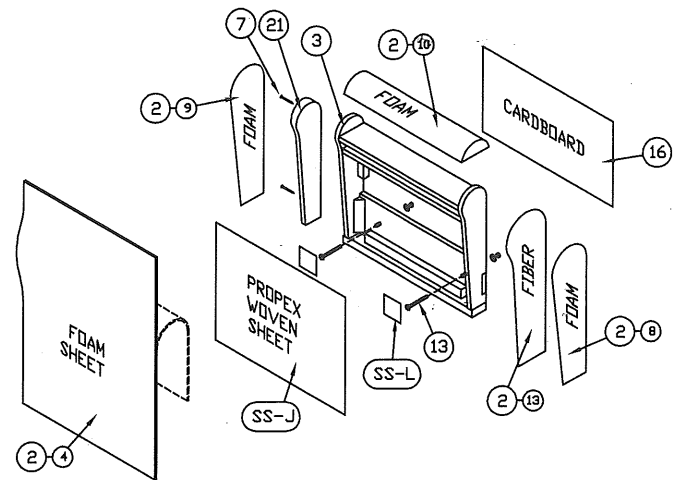
Action Required: Update the exploded view drawings of these units. If an individual arm is required, use the new exploded view drawings to determine a part number for the required arm.

Customer Notification: Unicor-Florence, CO, KY, MD, MI, OH, VA, WI

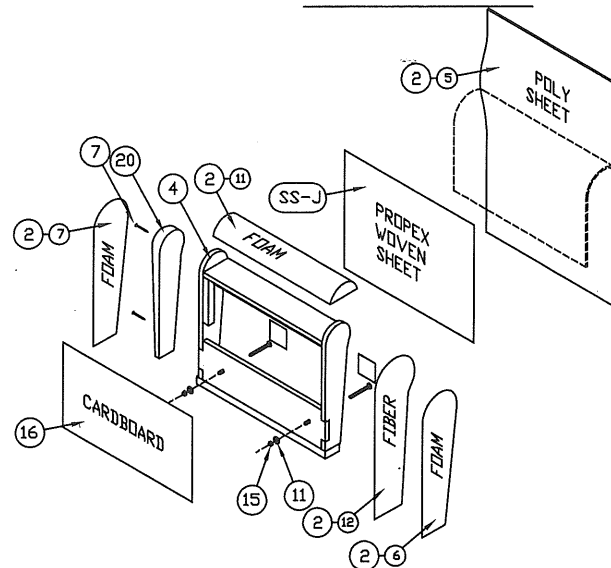
Enclosure

ARM DIRECTION IS DETERMINED WHILE STANDING IN FRONT OF THE CHAIR

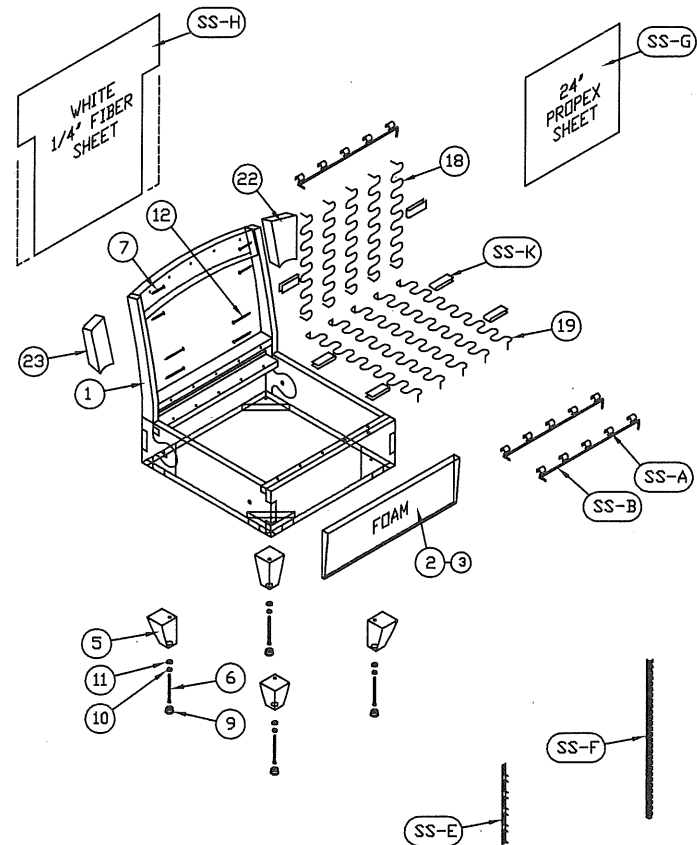
LEFT ARM



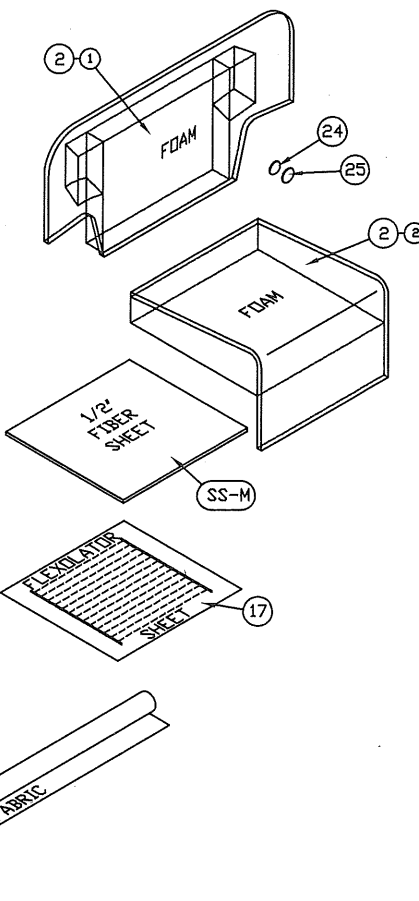
RIGHT ARM



NOTES:
 1) IF WOOD BUTTON OPTION IS SELECTED, SUBSTITUTE ITEMS 24 & 25 WITH (24) 11055 BUTTON, #45 BACK AND (25) 15360 BUTTON, WOOD 1-1/2"
 2) IF CHAIR IS NOT RECEIVING CONTRASTING FABRIC, COMBINE THE FABRIC YARDAGES SHOWN ON THE CHART.



SEAT



QTY	ITEM	PART NO.	DESCRIPTION
1.0 YD			CONTRAST FABRIC
4.0 YD			PRIMARY FABRIC
FABRIC REQUIREMENTS			
1.0 YD	SS-M	12126	HENDRIX 26' SEAT DECKING #911 (1/2")
SCRAP	SS-L	SCRAP	PROPEX (APPROX 3' SQ, COVERS BOLTS)
0.8 YD	SS-K	12305	WEBBING 1-1/8" (SPRING STRIPS)
2.5 YD	SS-J	12150	PROPEX 18"
1.5 YD	SS-I	11250	PULLS 7-1/2"
1.0 YD	SS-H	12125	HENDRIX 26' ARM COVER #907 (1/4')
0.8 YD	SS-G	12151	PROPEX 24"
2.0 FT	SS-F	14078	FABRIFAST STRIP (PLI-GRIP)
3.0 FT	SS-E	14151	TACKSTRIP #10
3.0 FT	SS-D	14035	CARDBOARD STRIP 1/2"
1.0 YD	SS-C	14001	BLACK BOTTOM 1.5 OZ 24"
8.0 FT	SS-B	12050	FLEX CORD (CONNECTS SPRINGS)
15	SS-A	16151	SPRING CLIP HR CLP-4
SHOP SUPPLIES			
1	28	x	x
1	27	x	x
1	26	x	x
1	25	11058	BUTTON #60 SHELL
1	24	11057	BUTTON #60 BACK
1	23	19526	RIGHT WING POLYESTER 6623
1	22	19525	LEFT WING POLYESTER 6623
1	21	19301	ARM BACK POLYESTER RIGHT 6623
1	20	19300	ARM BACK POLYESTER LEFT 6623
5	19	12220	SPRING, UNIVERSAL 19-1/2 (SEAT)
5	18	12211	SPRING, UNIVERSAL 11 x 15-1/2 (BACK)
1	17	12076	FLEXOLATOR
2	16	12011	CARDBOARD, 6623 INSIDE ARM
4	15	16270	NUT, 5/16-18
-	14	-	-
4	13	16056	BOLT, 5/16 x 3-1/2" CARRIAGE
4	12	16365	SCREW, #8 x 3" WOOD
8	11	16704	WASHER, FLAT 1/4"
4	10	16714	WASHER, LOCK 5/16
4	9	19201	GLIDE, BLACK
-	8	-	-
8	7	16360	SCREW, #8 x 1-3/4" WOOD
4	6	16075	BOLT, 1/4-20 x 4"
4	5	15729.B	LEG, 6623 EXPOSED
1	4	15048	ARM, RIGHT 6623
1	3	15047	ARM, LEFT 6623
1	2	13133.CFR	FOAM POLY SET, 6623 CHAIR (13 PCS)
1	1	11585	FRAME, 6623 CHAIR

CONSULT KD LOUNGE CHAIR

CONTROL STAMP REFERENCE ONLY (NOT Released for Production)

Rev.	By	ED/Request Number	Date	Chk By	Description
1	JVN		1/11/08		FIRST VERSION AFTER KD SETUP

OEI CONSULT LOUNGE CHAIR SEATING KD EXPLODED

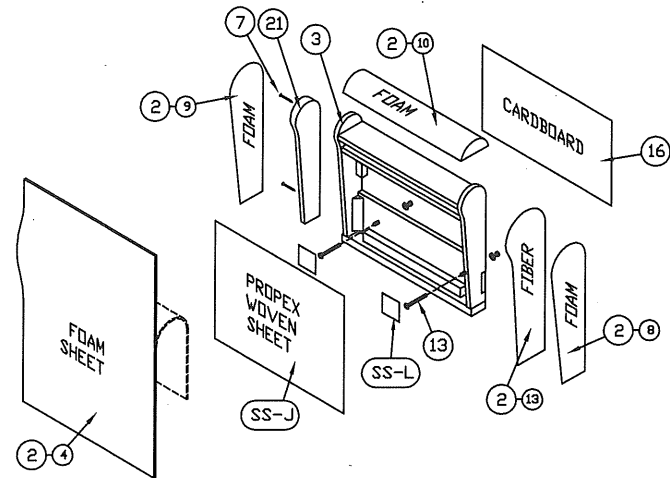
NOTICE: This drawing is the property of Krueger International and contains proprietary information that is not to be used except in the consideration of bids or proposals furnished hereunder. Reproductions or copying of this drawing, in whole or in part is prohibited.

TELEPHONE: 800-368-3633

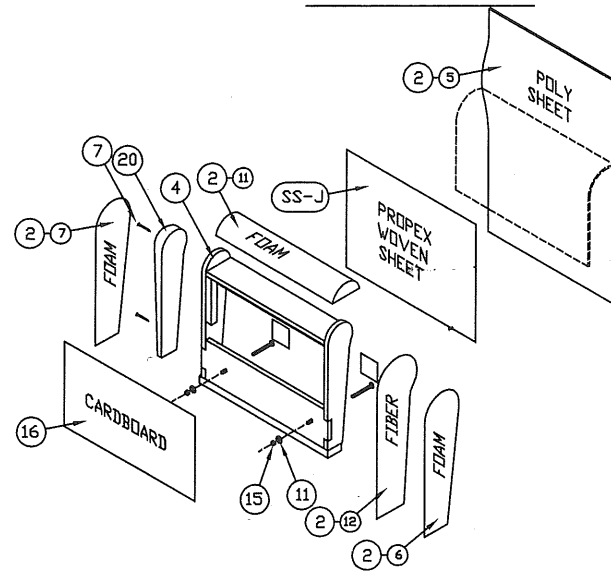
DETAILED PLACES: Drawn by: J. NOLL, Date: 11/15/07, Checked by: JAC, Date: 11/15/07, Sheet: 1 of 1, Drawing No: LOUNGE CHAIR EXPL

ARM DIRECTION IS DETERMINED WHILE STANDING IN FRONT OF THE CHAIR

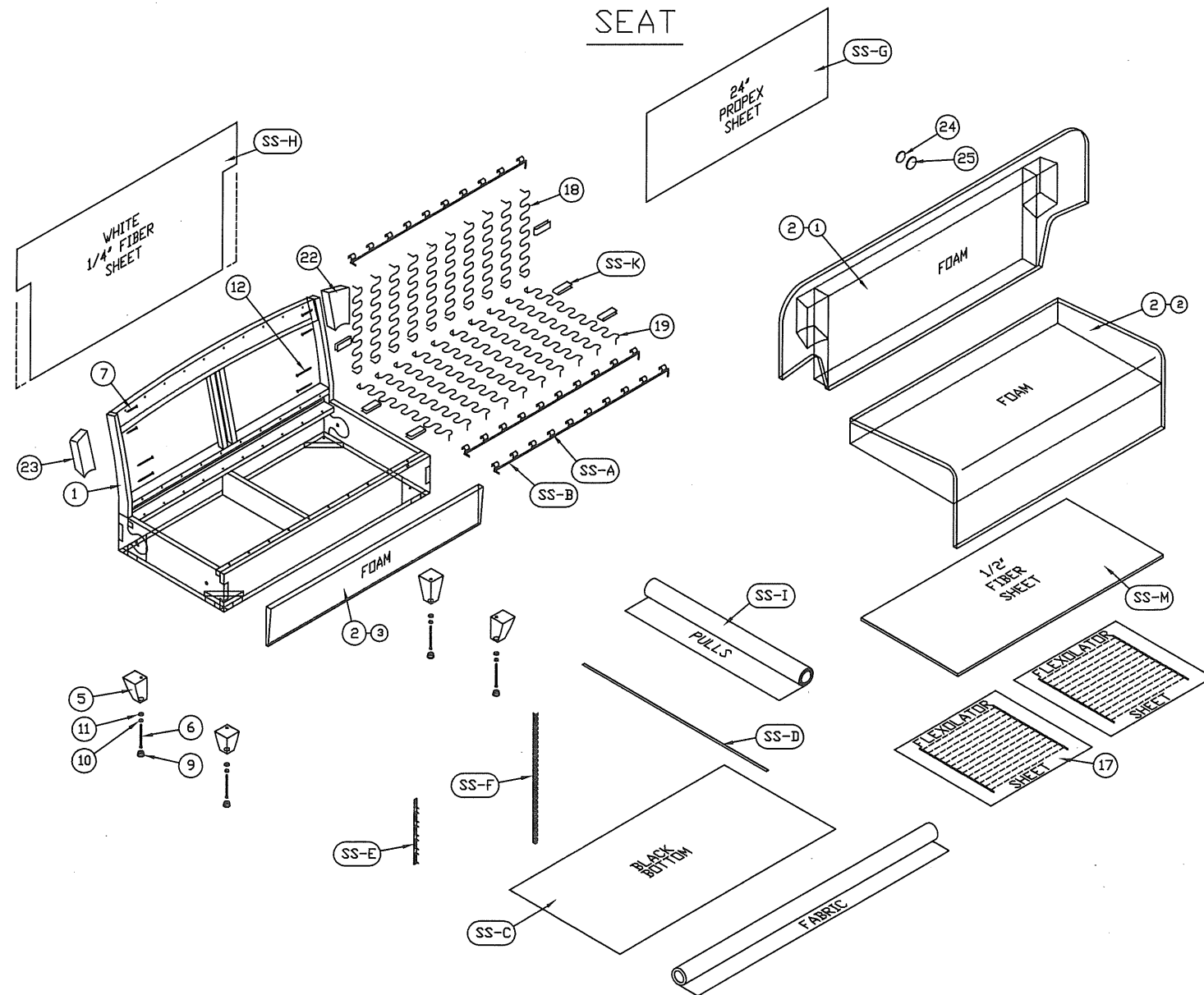
LEFT ARM



RIGHT ARM



SEAT



CONTROL STAMP REFERENCE ONLY (NOT Released for Production)

DRAWING REVISIONS					
Rev.	By	EDR/Request Number	Date	Chk By	Description
1	JVN		1/11/08		FIRST VERSION AFTER KD SETUP

NOTES:
 1) IF WOOD BUTTON OPTION IS SELECTED, SUBSTITUTE ITEMS 24 & 25 WITH (24) 11055 BUTTON, #45 BACK AND (25) 15360 BUTTON, WOOD 1-1/2"
 2) IF CHAIR IS NOT RECEIVING CONTRASTING FABRIC, COMBINE THE FABRIC YARDAGES SHOWN ON THE CHART.

YARDAGE	ITEM	PART NO.	DESCRIPTION
1.0 YD			CONTRAST FABRIC
6.0 YD			PRIMARY FABRIC
FABRIC REQUIREMENTS			
2.0 YD	SS-M	12126	HENDRIX 26' SEAT DECKING #911 (1/2")
SCRAP	SS-L	SCRAP PROPEX	(APPROX 3' SQ, COVERS BOLTS)
0.8 YD	SS-K	12305	WEBBING 1-1/8" (SPRING STRIPS)
2.5 YD	SS-J	12150	PROPEX 18"
3.0 YD	SS-I	11250	PULLS 7-1/2"
1.0 YD	SS-H	12125	HENDRIX 26' ARM COVER #907 (1/4")
1.6 YD	SS-G	12151	PROPEX 24"
2.0 FT	SS-F	14078	FABRIFAST STRIP (PLI-GRIP)
3.0 FT	SS-E	14151	TACKSTRIP #10
6.0 FT	SS-D	14035	CARDBOARD STRIP 1/2"
2.0 YD	SS-C	14001	BLACK BOTTOM 1.5 OZ 24"
16 FT	SS-B	12050	FLEX CORD (CONNECTS SPRINGS)
30	SS-A	16151	SPRING CLIP HR CLP-4
SHOP SUPPLIES			
1	28	x	x
1	27	x	x
1	26	x	x
1	25	11058	BUTTON #60 SHELL
1	24	11057	BUTTON #60 BACK
1	23	19526	RIGHT WING POLYESTER 6623
1	22	19525	LEFT WING POLYESTER 6623
1	21	19301	ARM BACK POLYESTER RIGHT 6623
1	20	19300	ARM BACK POLYESTER LEFT 6623
10	19	12220	SPRING, UNIVERSAL 19-1/2 (SEAT)
10	18	12211	SPRING, UNIVERSAL 11 x 15-1/2 (BACK)
2	17	12076	FLEXOLATOR
2	16	12011	CARDBOARD, 6623 INSIDE ARM
4	15	16270	NUT, 5/16-18
-	14	-	-
4	13	16056	BOLT, 5/16 x 3-1/2" CARRIAGE
4	12	16365	SCREW, #8 x 3" WOOD
8	11	16704	WASHER, FLAT 1/4"
4	10	16714	WASHER, LOCK 5/16
4	9	19201	GLIDE, BLACK
-	8	-	-
8	7	16360	SCREW, #8 x 1-3/4" WOOD
4	6	16075	BOLT, 1/4-20 x 4"
4	5	15729.B	LEG, 6623 EXPOSED
1	4	15048	ARM, RIGHT 6623
1	3	15047	ARM, LEFT 6623
1	2	13134.CFR	FOAM POLY SET, 6633 LVST. (13 PCS)
1	1	11586	FRAME, 6633 LOVESEAT
QTY	ITEM	PART NO.	DESCRIPTION

CONSULT KD LOUNGE LOVESEAT

OEI CONSULT LOUNGE LOVESEAT SEATING KD EXPLODED

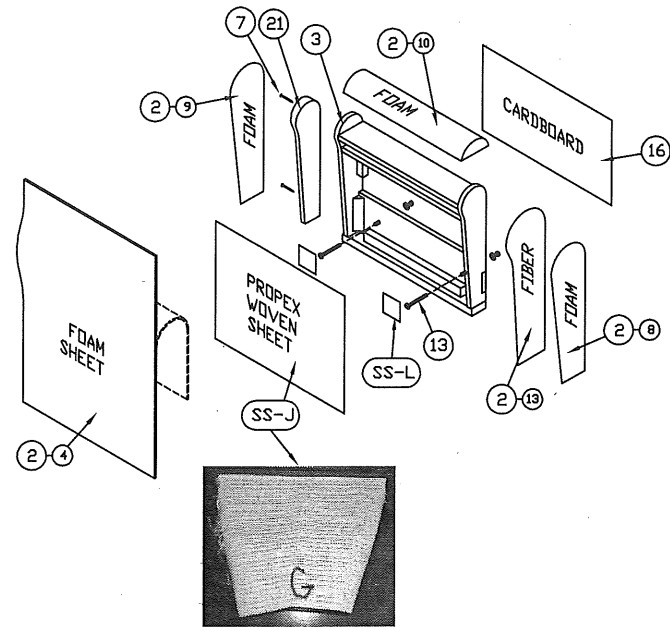
NOTICE: This drawing is the property of Krueger International and contains proprietary information that is not to be used except in the consideration of bids or proposals tendered hereunto. Reproductions or copying of this drawing, in whole or in part is prohibited.

TELEPHONES	Materials	Drawn by	J. NOLL	Scale	NTS	Date	11/11/08
DESIGNAL PLACES:	Checked by	Drawn by	J. NOLL	Scale	NTS	Date	11/11/08
ANGLE	Sheet	1 of 1	Drawing No.	LOUNGE LOVESEAT EXPL	Rev.	AC	1

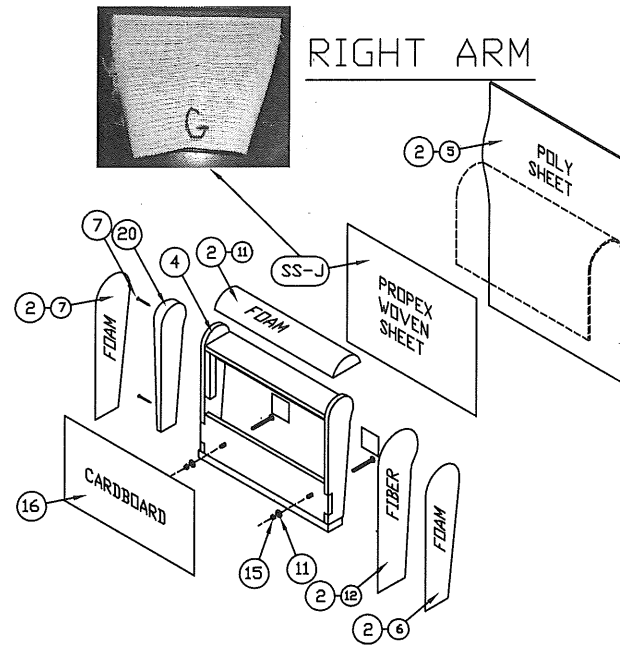
ARM DIRECTION IS DETERMINED WHILE STANDING IN FRONT OF THE CHAIR

CONTROL STAMP					
REFERENCE ONLY (NOT Released for Production)					
DRAWING REVISIONS					
Rev.	By	EDI/Request Number	Date	Chk By	Description
1	JVN		1/11/08		FIRST VERSION AFTER KD SETUP

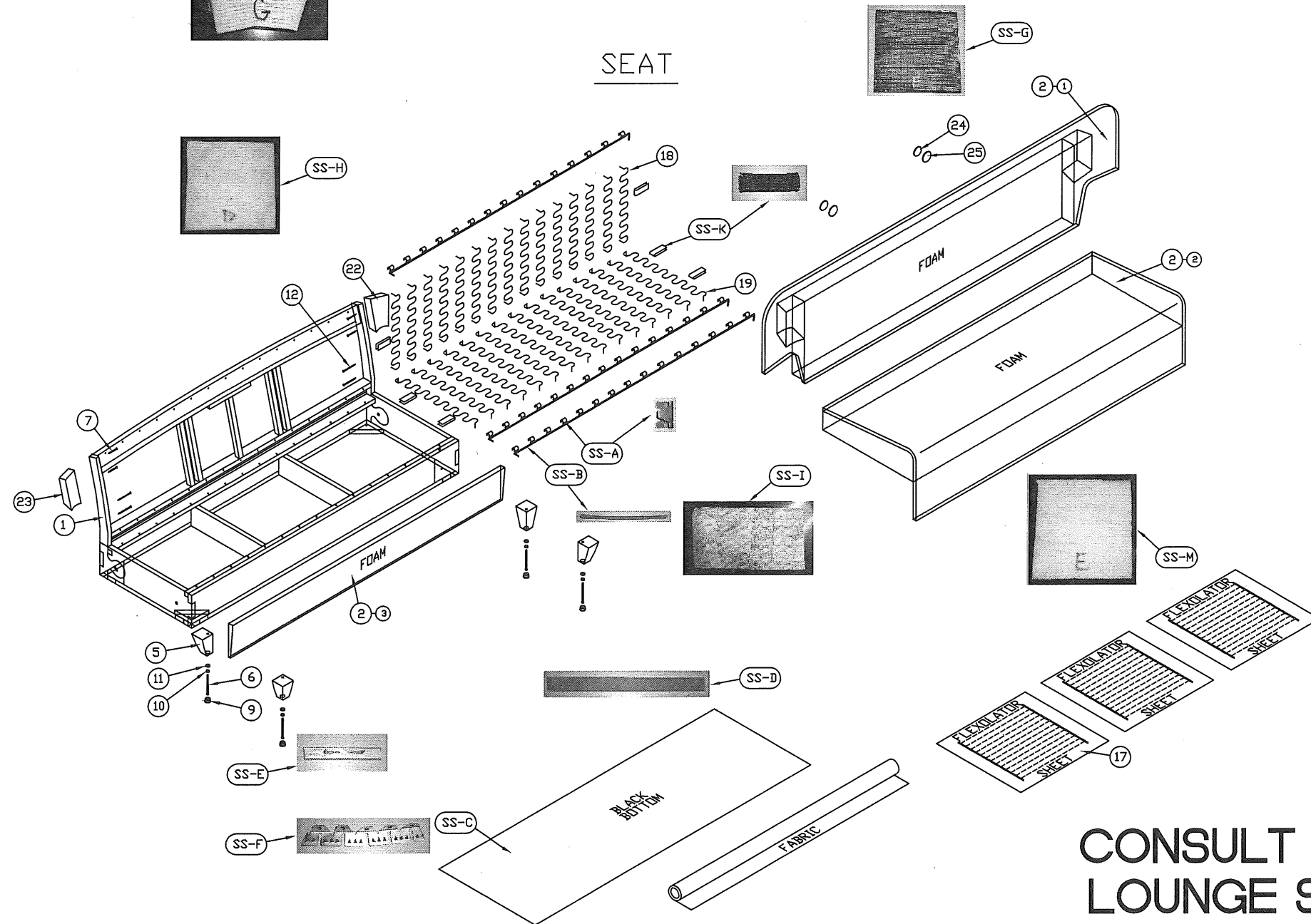
LEFT ARM



RIGHT ARM



SEAT



NOTES:
 1) IF WOOD BUTTON OPTION IS SELECTED, SUBSTITUTE ITEMS 24 & 25 WITH (24) 11055 BUTTON, #45 BACK AND (25) 15360 BUTTON, WOOD 1-1/2"
 2) IF CHAIR IS NOT RECEIVING CONTRASTING FABRIC, COMBINE THE FABRIC YARDAGES SHOWN ON THE CHART.

QTY	ITEM	PART NO.	DESCRIPTION
1.5 YD			CONTRAST FABRIC
8.0 YD			PRIMARY FABRIC
FABRIC REQUIREMENTS			
3.0 YD	SS-M	12126	HENDRIX 26' SEAT DECKING #911 (1/2")
SCRAP	SS-L	SCRAP	PROPEX (APPROX 3' SQ, COVERS BOLTS)
0.8 YD	SS-K	12305	WEBBING 1-1/8" (SPRING STRIPS)
4.0 YD	SS-J	12150	PROPEX 18"
3.0 YD	SS-I	11250	PULLS 7-1/2"
3.0 YD	SS-H	12125	HENDRIX 26' ARM COVER #907 (1/4")
2.4 YD	SS-G	12151	PROPEX 24"
2.0 FT	SS-F	14078	FABRIFAST STRIP (PLI-GRIP)
3.0 FT	SS-E	14151	TACKSTRIP #10
9.0 FT	SS-D	14035	CARDBOARD STRIP 1/2"
3.0 YD	SS-C	14001	BLACK BOTTOM 1.5 OZ 24"
24 FT	SS-B	12050	FLEX CORD (CONNECTS SPRINGS)
45	SS-A	16151	SPRING CLIP HR CLP-4
SHOP SUPPLIES			
1	28	x	x
1	27	x	x
1	26	x	x
2	25	11058	BUTTON #60 SHELL
2	24	11057	BUTTON #60 BACK
1	23	19526	RIGHT WING POLYESTER 6623
1	22	19525	LEFT WING POLYESTER 6623
1	21	19301	ARM BACK POLYESTER RIGHT 6623
1	20	19300	ARM BACK POLYESTER LEFT 6623
15	19	12220	SPRING, UNIVERSAL 19-1/2 (SEAT)
15	18	12211	SPRING, UNIVERSAL 11 x 15-1/2 (BACK)
3	17	12076	FLEXOLATOR
2	16	12011	CARDBOARD, 6623 INSIDE ARM
4	15	16270	NUT, 5/16-18
-	14	-	-
4	13	16056	BOLT, 5/16 x 3-1/2" CARRIAGE
4	12	16365	SCREW, #8 x 3" WOOD
8	11	16704	WASHER, FLAT 1/4"
4	10	16714	WASHER, LOCK 5/16
4	9	19201	GLIDE, BLACK
-	8	-	-
8	7	16360	SCREW, #8 x 1-3/4" WOOD
4	6	16075	BOLT, 1/4-20 x 4"
4	5	15729.B	LEG, 6623 EXPOSED
1	4	15048	ARM, RIGHT 6623
1	3	15047	ARM, LEFT 6623
1	2	13135.CFR	FOAM POLY SET, 6643 SOFA (13 PCS)
1	1	11587	FRAME, 6643 SOFA

CONSULT KD LOUNGE SOFA

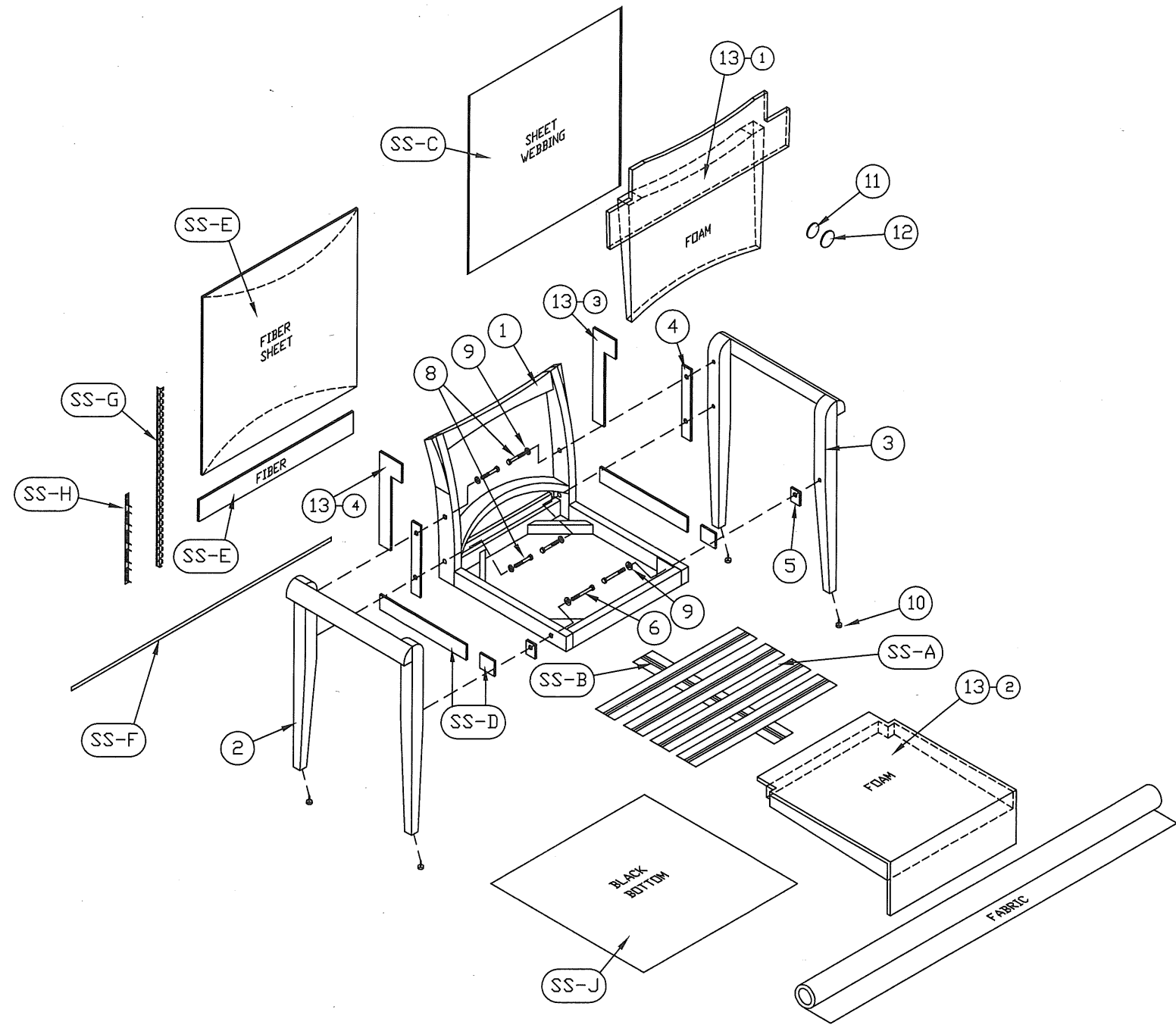
OEI CONSULT LOUNGE SOFA SEATING
KD EXPLODED

OEI

NOTICE: This drawing is the property of Krueger International and contains proprietary information that is not to be used except in the consideration of bids or proposals furnished hereafter. Reproductions or copying of this drawing, in whole or in part is prohibited.

DESIGNED BY:	J. NOLL	DATE:	11/11/08
CHECKED BY:		DATE:	
SCALE:	1 of 1	DRAWING NO.:	LOUNGE SOFA EXPL

ARM DIRECTION IS DETERMINED WHILE STANDING IN FRONT OF THE CHAIR



NOTES:

- IF WOOD BUTTON OPTION IS SELECTED, SUBSTITUTE ITEMS 11 & 12 WITH (11) 11057 BUTTON, #60 BACK AND (12) 15361 BUTTON, WOOD 1-1/4"
- IF CHAIR IS NOT RECEIVING A CONTRASTING FABRIC, COMBINE THE FABRIC YARDAGES SHOWN ON THE CHART.
- IF THE CHAIR IS ORDERED WITH THE CASTER OPTION, YOU WILL NOT RECEIVE:
ITEM 10 QTY=4 pn 16711 PLASTIC NAIL-ON GLIDE
YOU WILL RECEIVE ADDITIONAL PARTS:
QTY=4 pn 16576 CASTER W/BRAKE
QTY=4 pn 16709 FLAT WASHER 1/4"
THE LEFT AND RIGHT ARM ASM. (15042.B & 15043.B) WILL BE CUT SHORTER AND DRILLED TO ACCEPT THE WASHERS AND CASTERS.

QTY.	ITEM	PART NO.	DESCRIPTION
0.8 YD			CONTRAST FABRIC
1.5 YD			PRIMARY FABRIC
FABRIC REQUIREMENTS			
0.7 YD	SS-J	14001	BLACK BOTTOM, 1.5 OZ 24"
	SS-I	14200	TWINE, 2.5# FOR BUTTON
1.0 FT	SS-H	14156	TACKSTRIP, PADDED
2.0 FT	SS-G	14078	FABRI-FAST (PLI CURVE) HWL #3
40 IN	SS-F	14035	CARDBOARD STRIP, 1/2" WIDE
0.5 YD	SS-E	14101	FIBER, #905-08 36" WIDE ROLL
3.0 FT	SS-D	13202.CFR	POLY ROLL, 1/4" x 2"
1.5 FT	SS-C	12300.18	WEBBING SHEET, 18" SYTEX II
1.5 FT	SS-B	12301	WEBBING NC370
6.0 FT	SS-A	12303	WEBBING SYSTEMS 80
SHOP SUPPLIES			
1	13	13159.CFR	FOAM SET, 601 (INCLUDES 4 PIECES)
1	12	11056	BUTTON #45 SHELL
1	11	11055	BUTTON #45 BACK
4	10	19275	NAIL GLIDE FB, .625 PLASTIC
6	9	16711	WASHER, FLAT 5/16 ZINC
4	8	16067	BOLT, HEX HD. 5/16 x 2-1/4"
-	7	-	-
2	6	16068	BOLT, HEX HD. 5/16 x 3"
2	5	15521	SPACER, FRONT, 601
2	4	15520	SPACER, BACK, 601
1	3	15043.B	ARM, RIGHT, 601
1	2	15042.B	ARM, LEFT, 601
1	1	15584	FRAME, 601

CONSULT KD
SIDE CHAIR

OEI CONSULT SIDE CHAIR
KD EXPLODED

OEI NOTICE: This drawing is the property of Krueger International and contains proprietary information that is not to be used except in the consideration of bids or proposals rendered hereafter. Reproductions or copying of this drawing, in whole or in part is prohibited.

TOLERANCES	MATERIALS
DECIMAL PLACES:	Drawn by: J. NOLL
XX	Scale: NTS
XXX	Date: 10/15/07
ANGLE	Checked by: CAD File: CONSULT SIDE CHAIR EXPL
	Sheet: 1 of 1
	Drawing No.: CONSULT SIDE CHAIR EXPL

