

# CHANGE NOTICE



P.O. Box 8400  
Green Bay, WI 54308-8400

**To:** All OEI Systems, Powerworks, Volition, Flexstation, T-4 (Genesis) Customers.

**From:** Bob Raisanen/OEI Engineering

**Date:** 6/19/09

**Re:** Worksurface "U" Stiffner #53.3925.BL Design Change to a "HAT" Shape. As a cost saving initiative.

This memo is to notify all OEI Customers making worksurfaces the "U" Stiffner #53.3925.BL has been redesigned to a hat shape Stiffner #44.1657.52.

Currently the "U" Stiffner is 11 ga. Painted steel. The new design will be 14 ga. zinc coated steel.

The worksurface cut out detail will require modification to accept the new Stiffner. (Ref. attached drawing #44-1657-Cut, detail A).

The U-Stiffner attachment screws (qty. 7) will change from the current part #12.1208 desc. #10x1" to a #12.0160 desc. #10x3/4" screw (qty. 18) per Stiffner.

**Pricing:**

<u>Part #</u>	<u>Description</u>	<u>Price Each</u>
44.1657.52	W-Stiffner	\$6.00
12.0160	#10x3/4" screw tapping	\$ .04

The new Stiffner will begin shipping on orders 8/17/09. The current "U" Stiffner #53.3925.BL will be obsolete. All Customer purchasing OEI Stiffners will need to modify their cut outs in the worksurfaces to the Drawing **44-1657-Cut** for the new hat Stiffner.

Note: Recommend cutting out detail with 1/2" router bit.

All worksurface testing has been completed and passed. Stiffner locations will remain the same on the worksurfaces.

See Attached Drawings:

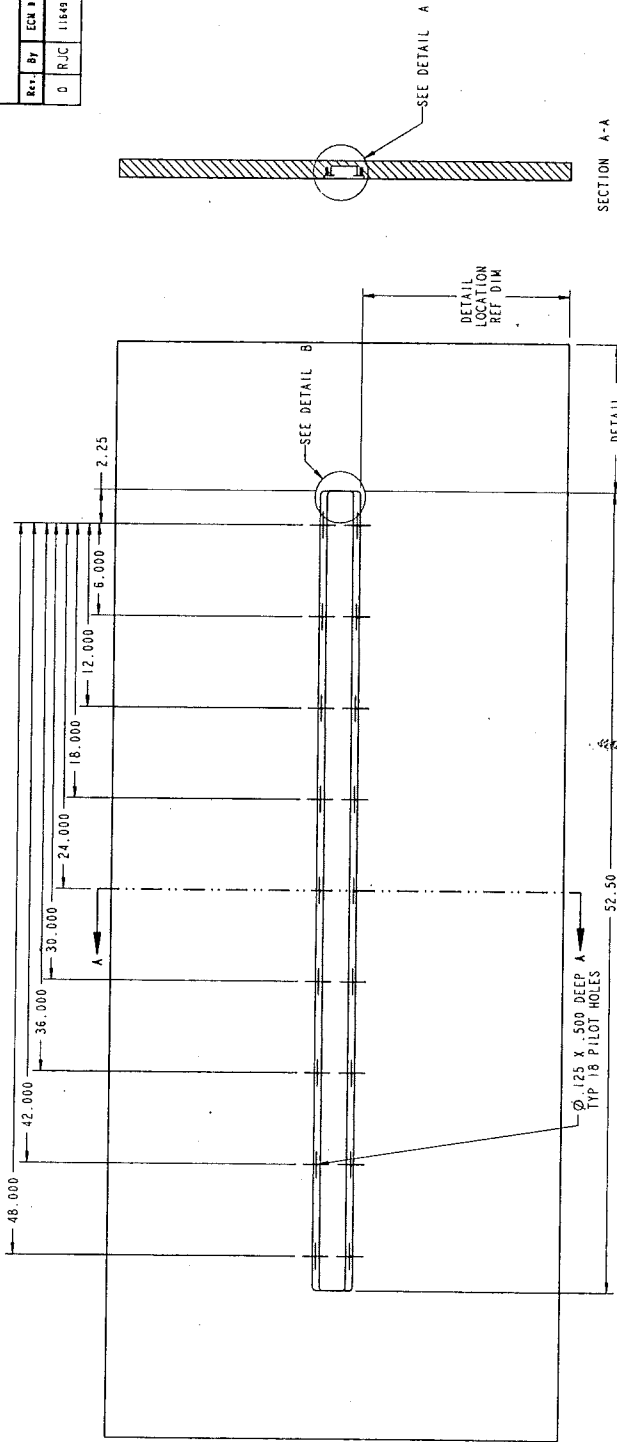
44-1657-Cut	Stiffner Cut Hat Channel
53-3925	Stiffner U-Shaper (Obsolete 8/17/09)

Please contact Bob Raisanen 920.468.2538 with any questions or concerns.

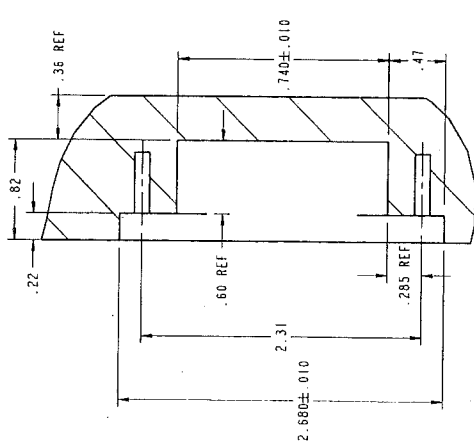
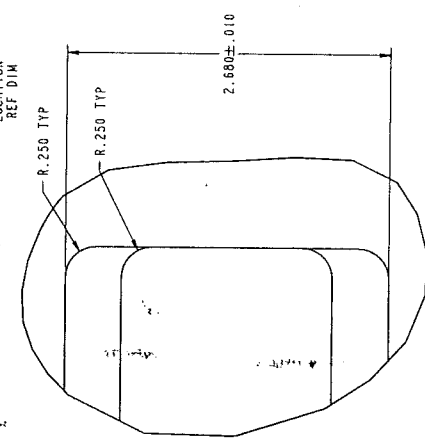
6/22/2009

Original Stamp

DRAWING REVISIONS		
Rev. By	Date	Description
0 RJC	17-Jun-09	RELEASED TO PRODUCTION



SECTION A-A



STIFFENER CUT, HAT CHANNEL  
TOP DRILL

	NOTICE: This drawing is the property of Kaiser International and contains information that is not to be released, reproduced, or copied without the written consent of Kaiser International. This drawing, in whole or in part, is prohibited.	
	Drawn By: RJC Checked By:	Date: 12-Jun-09 Model File: 44-1657-CUT
Material: N/A	Scale: 0.13	Date: 12-Jun-09
Steel No: 1 of 1	Drawing No: 44-1657-CUT	PRO: 0

DEFAULT TOLERANCES	
± .1	0.1
± .05	0.05
± .015	0.015
± .003	0.003